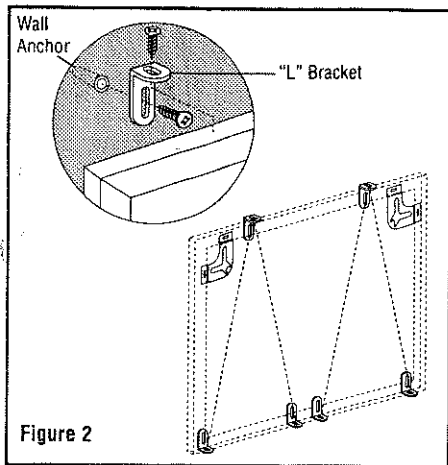
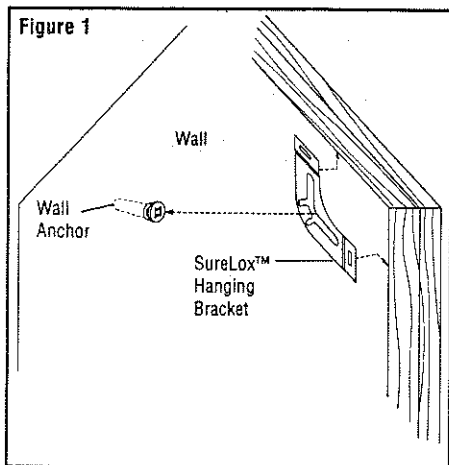


# Quartet SureLox™ Board Mounting System

The Quartet's SureLox™ board hanging system is designed to mount Quartet display boards to walls. Optional mounting brackets are included with some boards to compensate for an uneven hanging surface.



## Mounting Boards to Wall (Figure 1)

- 1) Measure the distance between the centers of each eyelet in the hanging brackets.
- 2) Select location for mounting Quartet board. Make 2 marks along a horizontal plane equal in distance to the measured distance between the centers of the eyelets in the hanging brackets.
- 3) Drill a hole a minimum of 1" deep using a 7/32" drill bit at each screw mark. Tap wall anchors into holes. Screw the wall anchor screws into the wall anchors. Loosen 1 to 2 turns.
- 4) Lock board into place on wall by engaging SureLox™ hanging brackets over each of the anchor screw heads. If the board is not hanging relatively flush to the wall tighten anchor screws slightly or use the optional mounting brackets.

- 7) Along bottom line measure 2" in from either end and mark wall "1 5/8" above this point.
- 8) Install a wall anchor at each of these 2 marks using the guidelines in step 3.
- 9) Screw "L" brackets to anchors in wall.
- 10) With all "L" brackets mounted to wall, engage corner brackets and place board on the "L" brackets. Mark board frame through eyelets of the 3 mounting brackets. Remove board from wall.
- 11) Using a 1/8" drill bit, drill pilot holes in the frame at each mark (1/4" max. depth).
- 12) Hang board on brackets. Screw brackets into frame through eyelets using the #8 Truss Head screws. (Refer to diagram)

## Optional Mounting Bracket (Boards 5' x 4' & smaller) (Figure 2)

- 5) Along bottom of board, draw a light pencil line on wall the length of the board.
- 6) Make a light pencil mark on the wall at the top center of the board, then remove board from wall. Install a wall anchor (see step 3 above) 1 5/8" below this mark.

## Optional Mounting Bracket (Boards 6' x 4' & larger) (Figure 2)

- 13) Using the guidelines for Optional Mounting Brackets (Boards 5' x 4' & smaller), form 2 triangles with the brackets starting each triangle top 1/4 of the way in along the top from the corner of the board.



Office Products Group

5700 Old Orchard Rd. Skokie, IL 60077, Tel: (847) 965-0600

P/N 500011