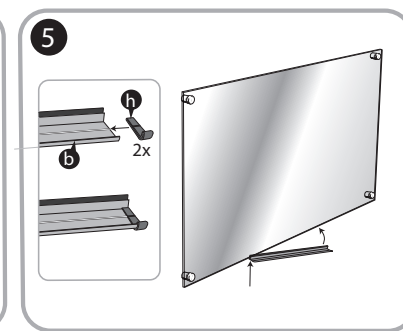
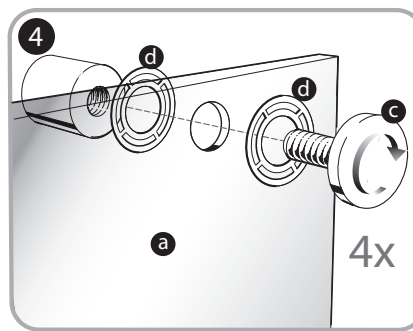
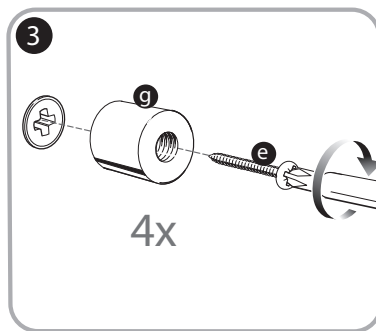
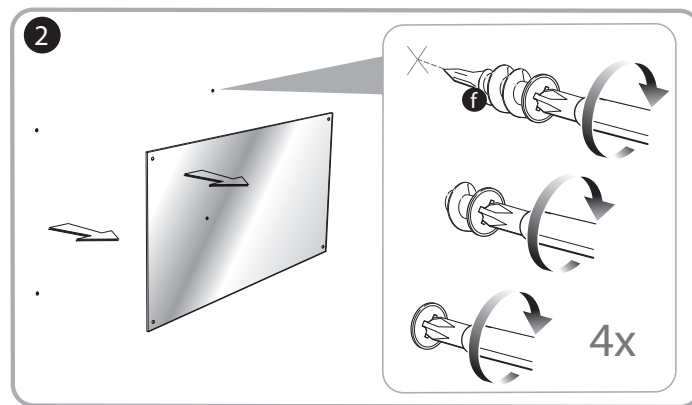
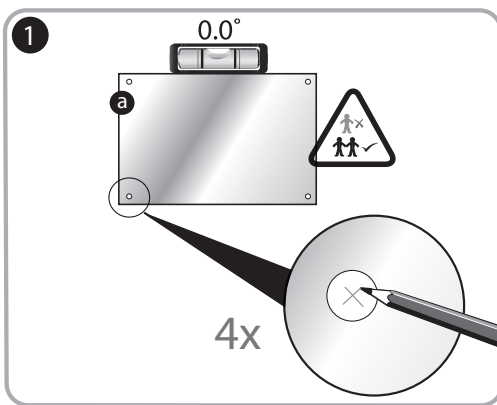
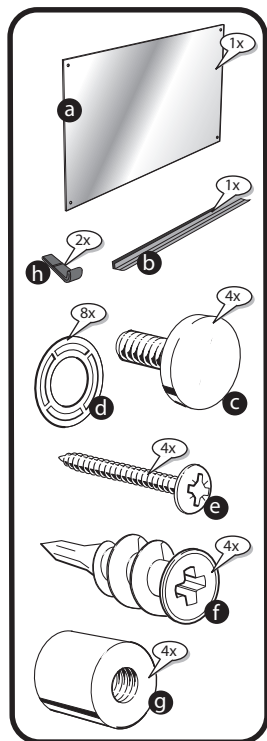


# GLASS BOARDS

1.5x2, 2x3, 3x4



 ACCO Brands (Returns Center)  
101 Bolton Ave 9E  
Booneville, MS 38829 USA  
Tel: 800-541-0094  
[www.acco.com](http://www.acco.com)  
[www.quartet.com](http://www.quartet.com)

ACCO accepts no liability if the product is not assembled and used in the correct way. Please use the correct fixings for your wall type.