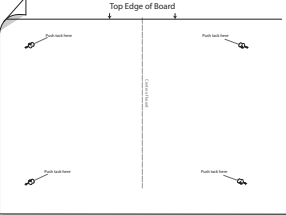
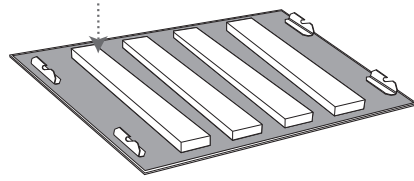
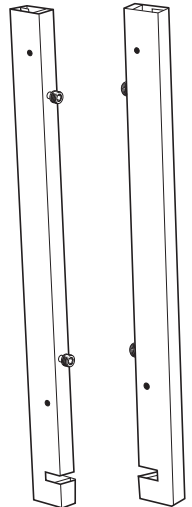

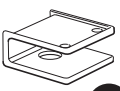
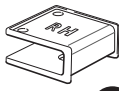

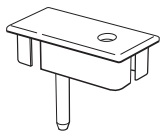










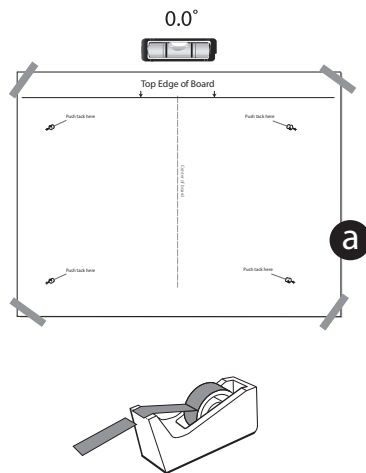
Invisible Mount Glass Board with Side Frames



NOTE: DO NOT REMOVE FOAM PADDING

 a 1x	 b 1x	 g 1x h 1x	 i 4x
 c 1x	 d 1x		 j 4x
 e 4x	 f 1x	 g 1x h 1x	 k 4x
G7442BA - G8548BA			 L 4x
 m 1x	 n 1x	 p 1x	 q 1x


1



0.0°

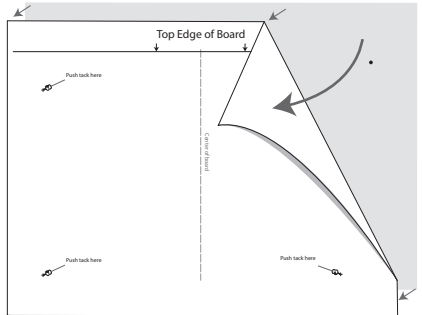
a

2



4x

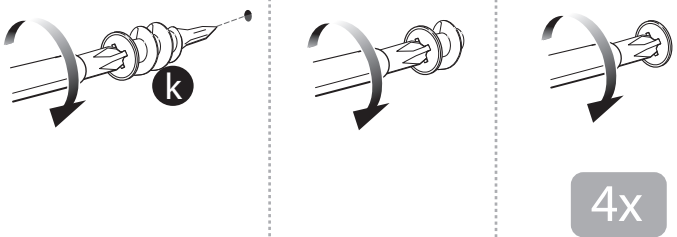
3



Top Edge of Board

Push back here

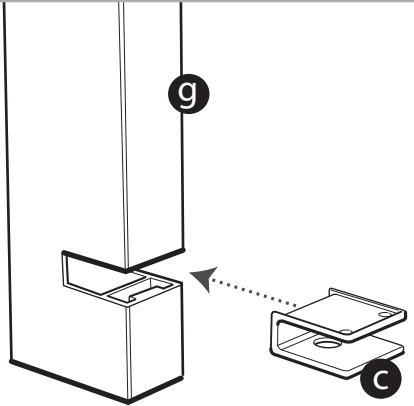
4



k

4x

5



g

c



ACCO Brands (Returns Center)
101 Bolton Ave 9E
Booneville, MS 38829 USA
Tel: 800-541-0099
www.acco.com
www.quartet.com

